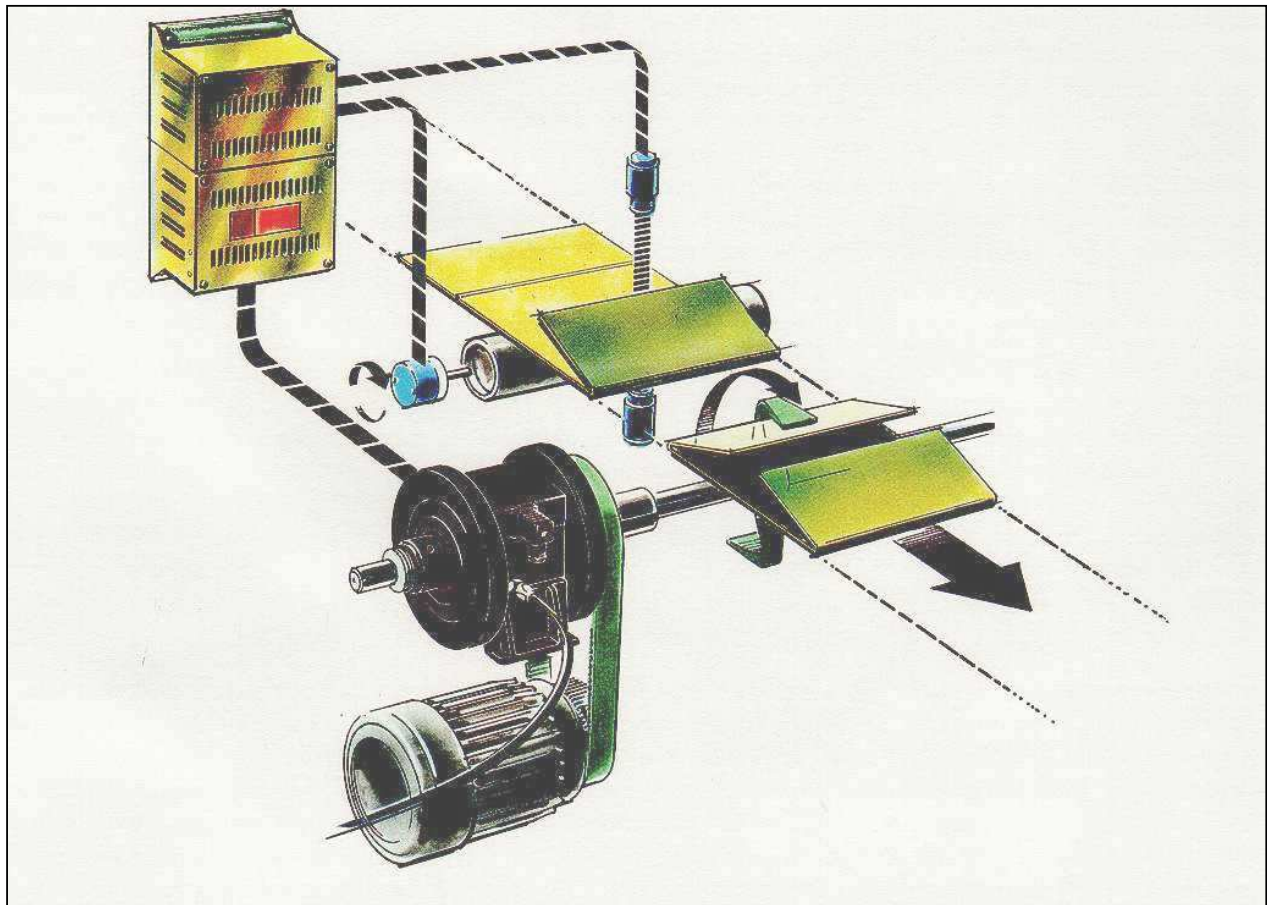


Backfolding of boxes

Application Info: 011 [10.2005]



Function

- Control of folding arm in box folding machine.

Advantages

- Extremely high production capacity.
- Photocell controlled backfolding allows varying distance between boxes.
- Automatic stop position compensation on varying feeding speeds.
- Flexible switching between different productions.